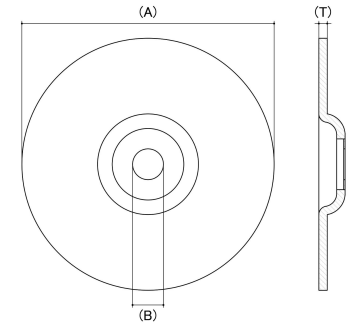


Silver Series Grinding Disc

Country Of Origin: China

Brand: Alpha

Application: Steel & Stainless Steel



CAD drawings shown for graphic representation only.*

Size (A) (mm)	Thickness (T) (mm)	Bore (B) (mm)	Max Operating Speed	sku (qfind)
	Nom	Nom		
100	6.00	16.00	80 m/s	16GD100616
115	6.00	16.00	80 m/s	16GD115616
125	6.00	22.20	80 m/s	16GD125616
180	6.00	22.20	80 m/s	16GD180616
230	6.00	22.20	80 m/s	16GD230622

Disclaimer:

Dimensional data and technical information was obtained from publically available sources and not acquired through standard agencies. It has been completed and compiled for reference purposes only; where discrepancies are found they are subject to change without notice. Bolt & Nut Australia makes no warranties or representations regarding the accuracy and validity of the compiled information and data. Contact the relevant standard authorities for accurate and detailed information.

* CAD drawings may not reflect diameter, thread length or overall length.

© Bolt & Nut Australia Pty Ltd. All rights reserved.

Version: 18 Mar 2024